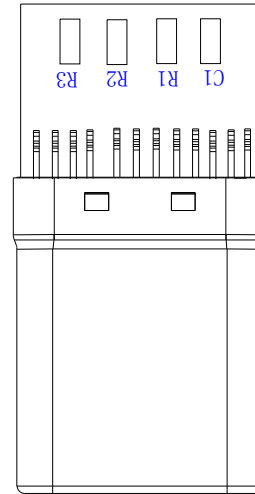
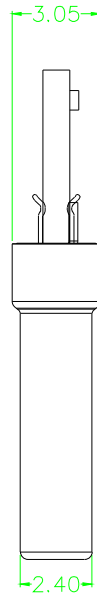
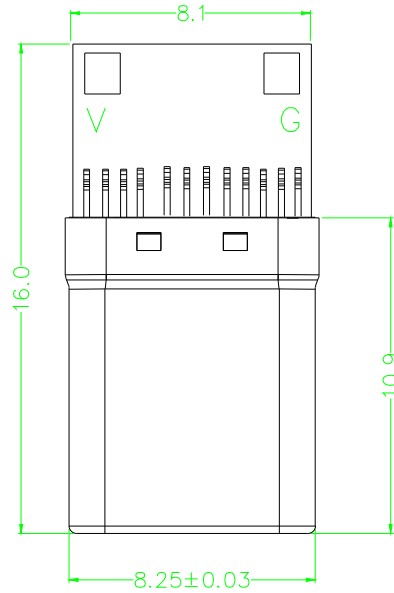
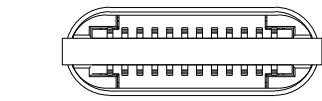


REV	ECN NO.	DISCRIPTION	CHEKED/DATE	APPD/DATE



Notes:

1. Materials

- Housing: LCP+30%GF, UL94 V-0;
- Contact: High conductivity copper alloy, Gold Plating at mating area & solder tail, all over Nickel;
- Shell: Stainless steel, all over Nickel;
- Latch: Stainless steel, all over Nickel;
- Mid-Plate: Stainless steel, all over Nickel;

2. Ratings

- Voltage Rating: 15V AC;
- Current Rating: 3A ;
- Operating Temperature: -40° C ~ 85° C;

4. Electrical Requirement:

- Contact Resistance: 30mΩ Max,
- Dielectric Withstanding Voltage: 100V AC (RMS) for 1 minute;
- Insulation Resistance: 500MΩ Min.

5. Mechanical Performance:

- Insertion force: 5~20N. (from 1~10,000 Cycles);
- Withdrawal force: 8~20N. (from 1~1,000 Cycles);
6~20N. (from 1,001~10,000 Cycles);
- Durability life: 5,000 Cycles;

电阻56K ————— R2

电容 103 ————— C1

未标注公差为±0.1

深圳市安锐微电子科技有限公司

公差 (TOL/FRACTION)	模号 (Mold No.)	比例 (Scale)	品名 (Produce Name)			
X	±0.15	1:1 (A4)	TYPE-C两芯拉伸倒角			
X.X	±0.10		料号 (Part No.)	ARTC-24JRO2B-A023	单位 (Units)	MM
X.XX	±0.05	第三角投影	图名 (Draw Name)	成品图	页次 (Sheet)	1/1
X.XXX	±0.02		文件编号 (Draw No.)	WP-YMX058-P01	版次 (REV)	A0
Angle	±1.0°	核准 (APP'D)				